

# 温度传感器安装指导

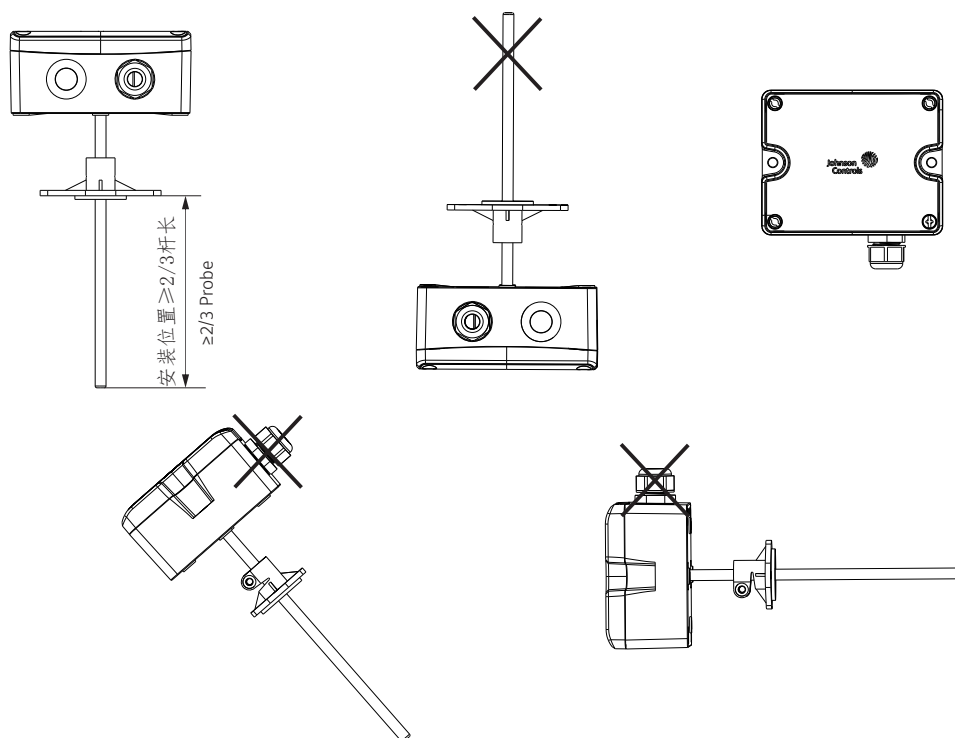
## Temperature Transmitter Installation Guide



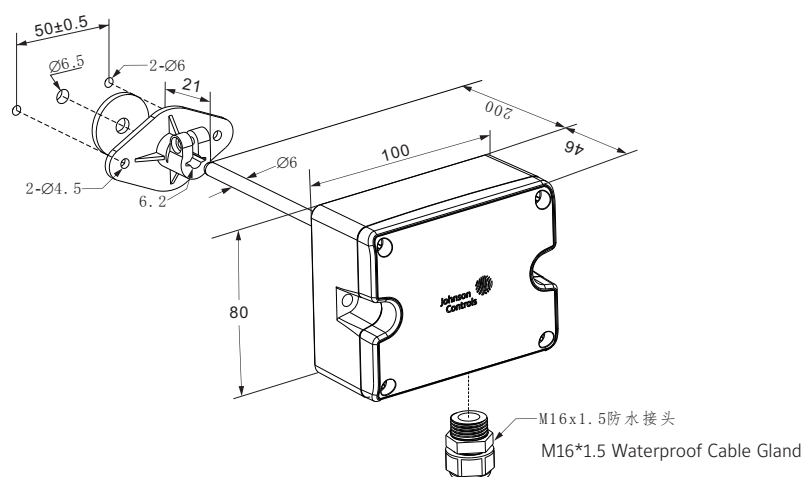
### 安装指导 / Installation Guide

#### 风道款 Duct Type

#### 安装位置 Installation Location

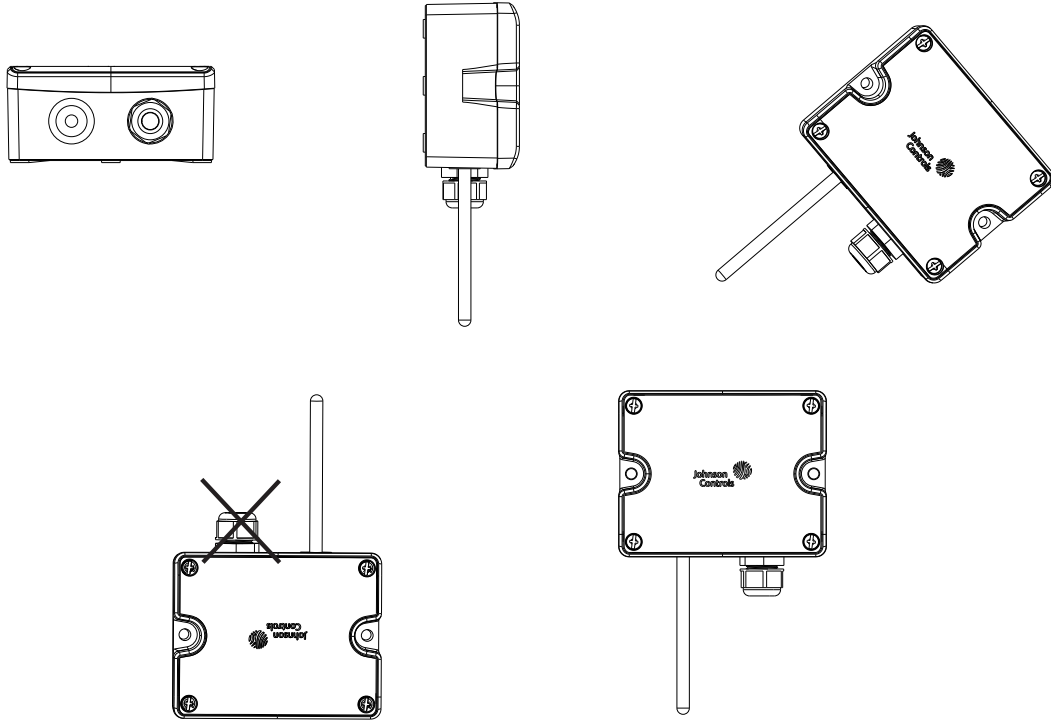


#### 安装尺寸图 Installation Dimension(mm)

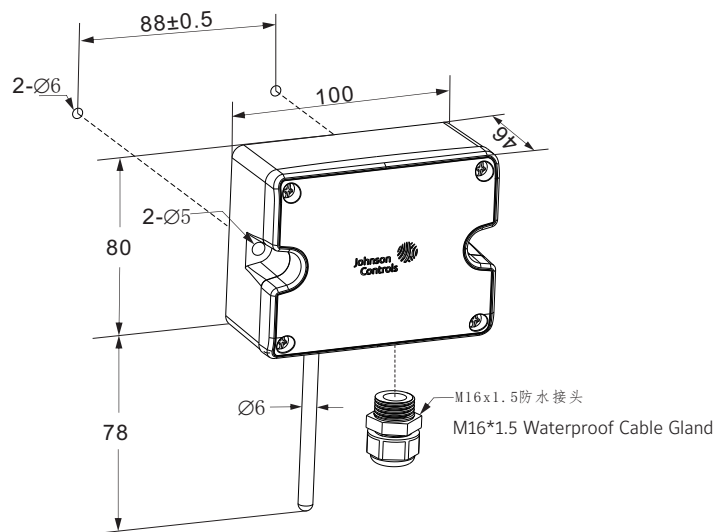


## 壁挂款 Wall Mount

### 安装位置 Installation Location

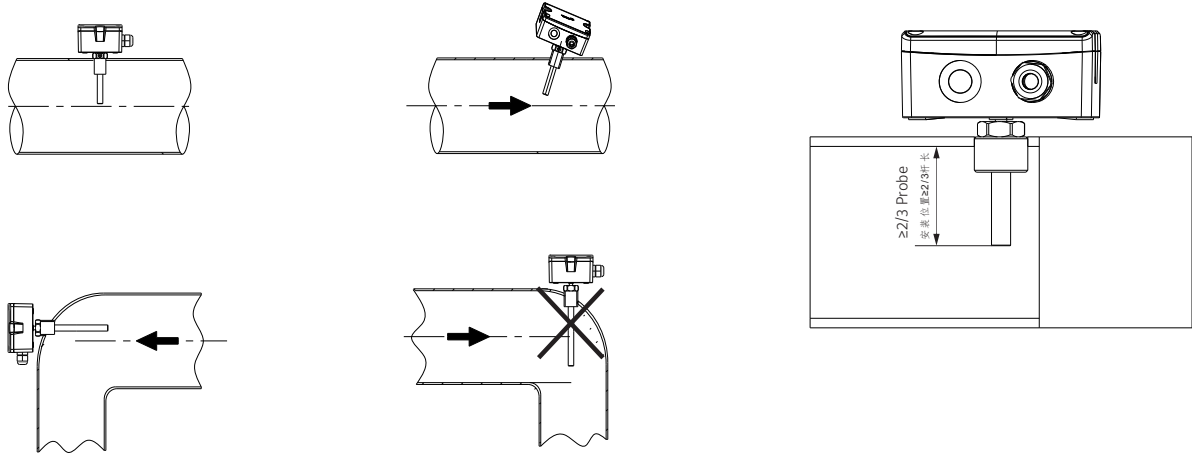


### 安装尺寸图 Installation Dimension(mm)

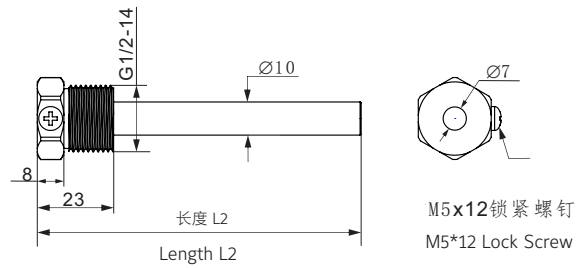
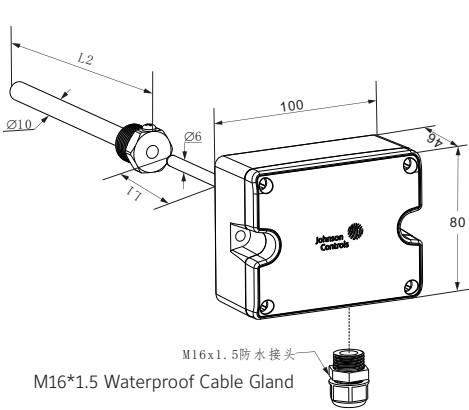


# 浸入款 Immersion Type

## 安装位置 Installation Location



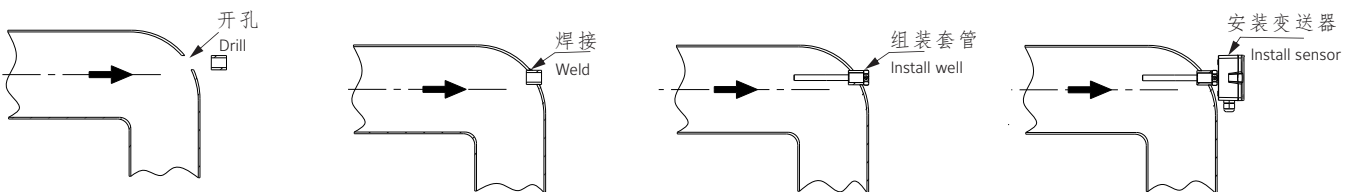
## 安装尺寸图 Installation Dimension(mm)

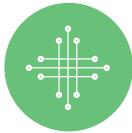


探杆长度 L1 (mm) Probe length L1 (mm)	套管长度 L2 (mm) Well length L2 (mm)
65	65
102	102
152	152
300	300

(参考型号选择表 refer to product selecting chart)

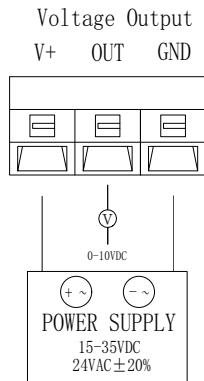
## 安装步骤 Installation Step



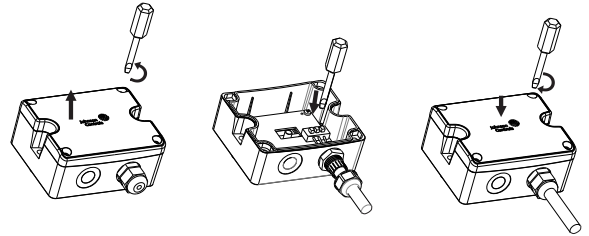
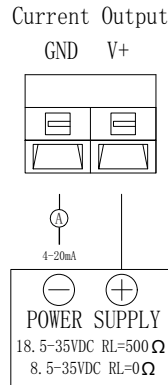


## 接线 / Wiring

### 电压输出



### 电流输出



## 基本参数 / Specification

温度测量范围 Temperature measurement range	HT7000D1/W1: -40~60°C HT7000D2: -20~80°C HT7000D3/W3: 0~50°C HT7000W4: -10~50°C HT7000I5: -40~150°C
温度精度 Temperature accuracy	±0.3°C @25°C
电源 Power Supply	Voltage output: 15~35Vdc/24Vac ± 20%; Current output :18.5~35VDC (RL=500Ω) , 8.5~35VDC (RL=0Ω)
输出负载 Output load	≤500Ω (Current output), ≥3kΩ (Voltage output)
工作环境 Working Environment	-40~70°C & 0~95%RH (No condensation)



## 有害物质声明表 Component and content of harmful substances

部件名称 Component	有害物质 harmful substances					
	铅 (Pb)	汞 (Hg)	镉 (Cd)	六价铬 (Cr(VI))	多溴联苯 (PBB)	多溴二苯醚 (PBDE)
外壳 Cover	0	0	0	0	0	0
探头 Probe	0	0	0	0	0	0
PCBA	0	0	0	0	0	0
电气插座 Terminal	×	0	0	0	0	0

本表格依据 SJ/T11364 的规定编制 This form is prepared in accordance with SJ/T11364

0: 表示该有害物质在该部件所有均质材料中的含量均在 GB/T26572 规定的限量要求以下

0: Indicates that the content of the hazardous substance in all homogeneous materials of the component is below the limit requirement specified in GB/T26572

×: 表示该有害物质至少在该部件的某一均质材料中的含量超出 GB/T26572 规定的限量要求

×: Indicates that the hazardous substance contained in at least one of the homogeneous materials of the component exceeds the limit requirements specified in GB/T26572

未列入表内的其他部件, 皆不含任何超出限量要求的限制使用物质

All other components not listed in this table, do not contain restricted substances above the threshold level.