

温湿度传感器安装指导

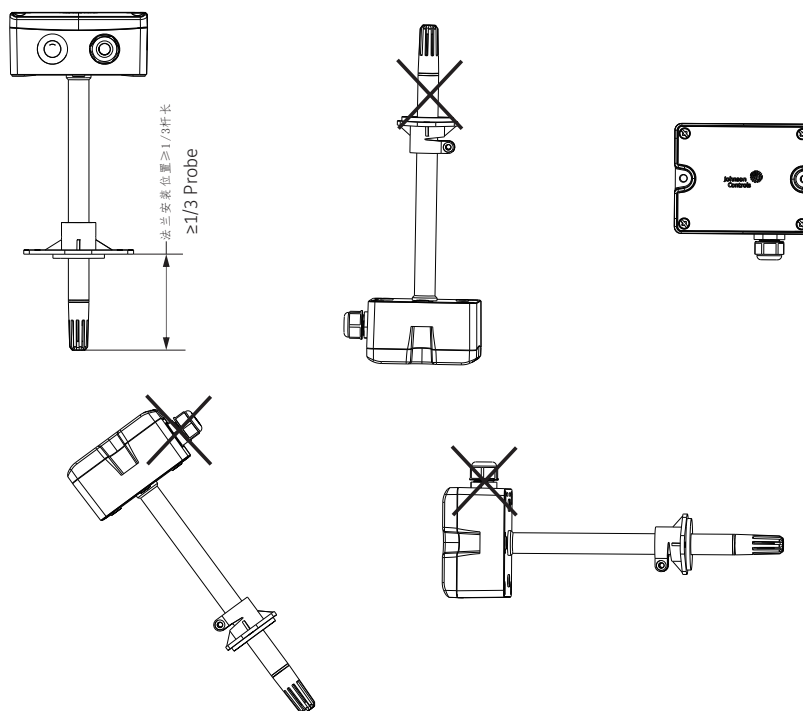
Temperature And Humidity Transmitter Installation Guide



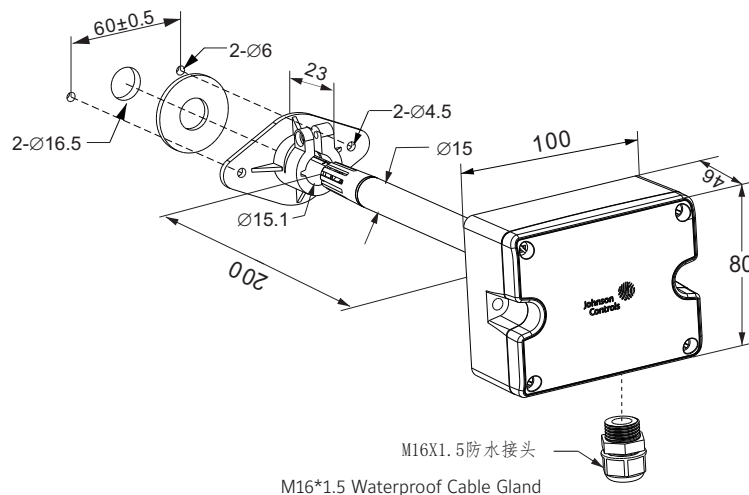
安装指导 / Installation Guide

风道款 Duct Type

安装位置 Installation Location

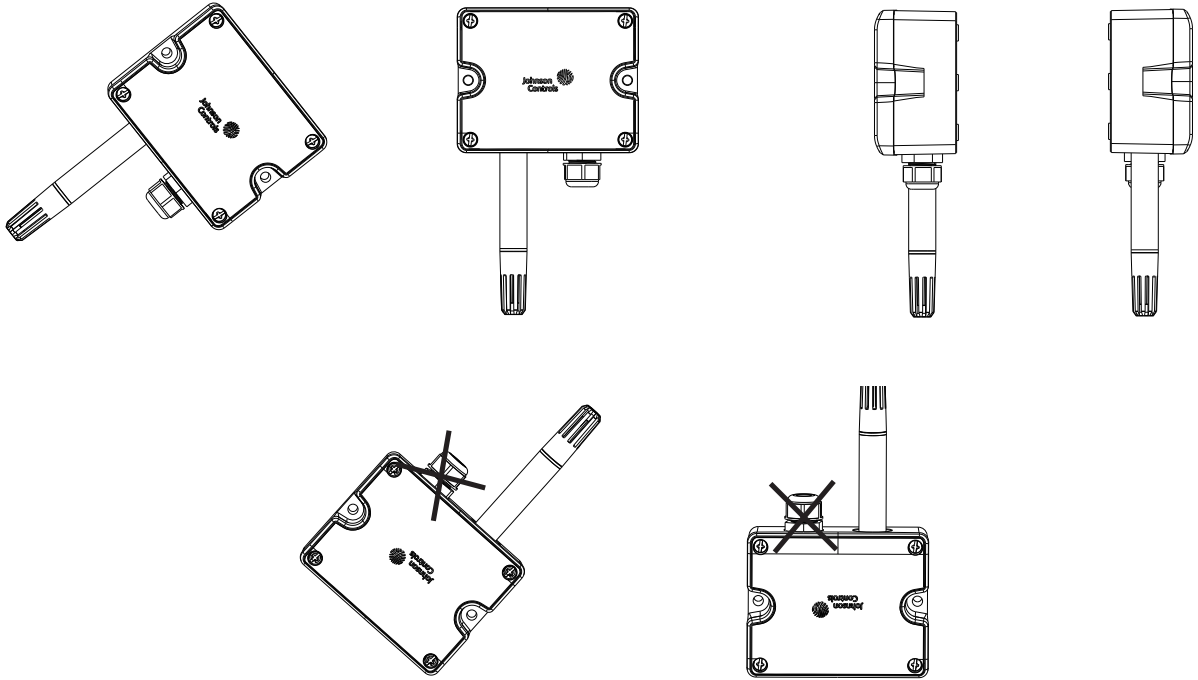


安装尺寸图 Installation Dimension(mm)

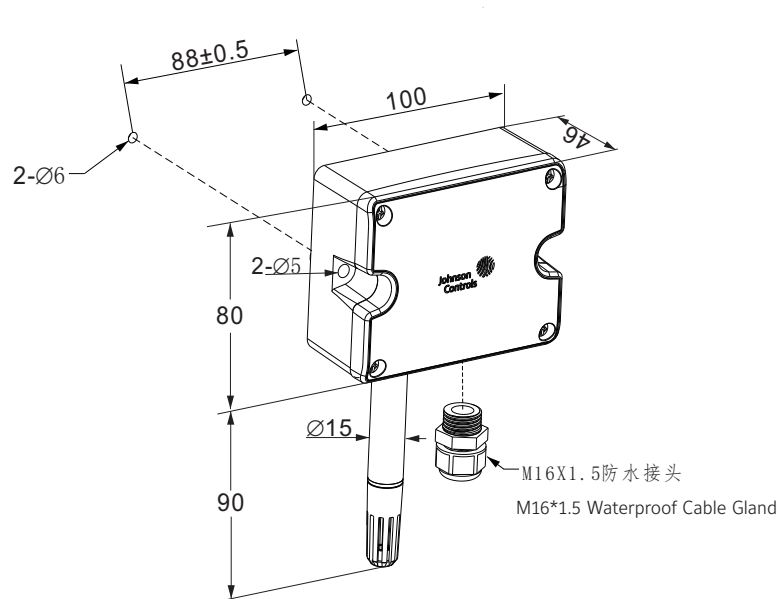


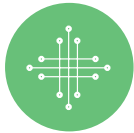
壁挂款 Wall Mount

安装位置 Installation Location



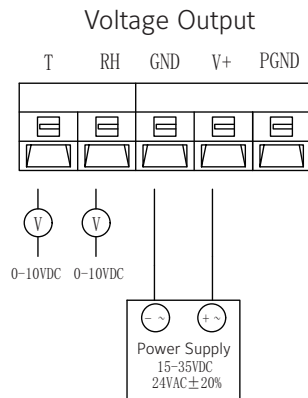
安装尺寸图 Installation Dimension (mm)



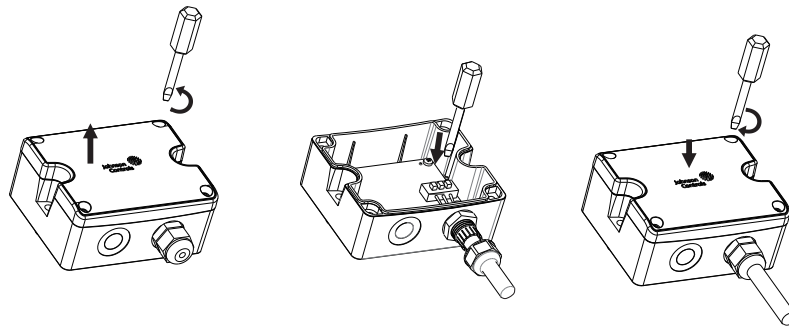
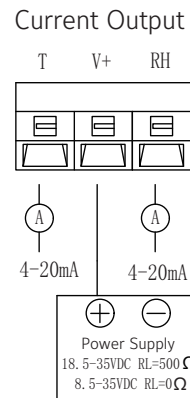


接线 / Wiring

电压输出



电流输出



基本参数 / Specification

温度测量范围 Temperature measurement range	HT7000D1/W1: -40~60°C HT7000D2: -20~80°C HT7000D3/W3: 0~50°C HT7000W4: -10~50°C
温度精度 Temperature accuracy	±0.3°C @25°C
湿度测量范围 Humidity measurement range	0~100%RH
湿度精度 Humidity accuracy	±3% (25°C, 20~80%RH)
电源 Power Supply	Voltage output: 15~35Vdc/24Vac ±20%; Current output: 18.5~35VDC (RL=500Ω), 8.5~35VDC (RL=0Ω)
输出负载 Output load	≤500Ω (Current output), ≥3kΩ (Voltage output)
工作环境 Working Environment	-20~60°C & 5~95%RH (No condensation)



有害物质声明表

Component and content of harmful substances

部件名称 Component	有害物质 harmful substances					
	铅 (Pb)	汞 (Hg)	镉 (Cd)	六价铬 (Cr(VI))	多溴联苯 (PBB)	多溴二苯醚 (PBDE)
外壳 Cover	0	0	0	0	0	0
探头 Probe	0	0	0	0	0	0
PCBA	0	0	0	0	0	0
电气插座 Terminal	×	0	0	0	0	0

本表格依据 SJ/T11364 的规定编制

This form is prepared in accordance with SJ/T11364

0: 表示该有害物质在该部件所有均质材料中的含量均在 GB/T26572 规定的限量要求以下

0: Indicates that the content of the hazardous substance in all homogeneous materials of the component is below the limit requirement specified in GB/T26572

×: 表示该有害物质至少在该部件的某一均质材料中的含量超出 GB/T26572 规定的限量要求

×: Indicates that the hazardous substance contained in at least one of the homogeneous materials of the component exceeds the limit requirements specified in GB/T26572

未列入表内的其他部件，皆不含任何超出限量要求的限制使用物质

All other components not listed in this table, do not contain restricted substances above the threshold level.